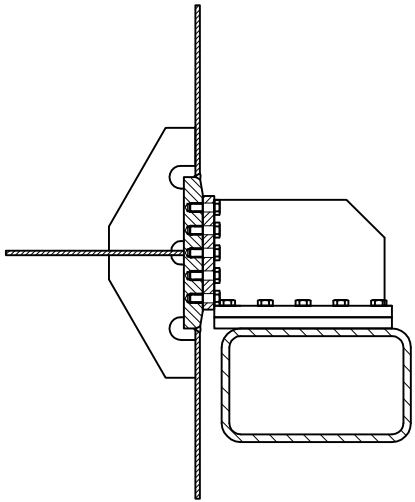


DETAIL A
DECK CONNECTIONS
50 MM WELDED DECK PLATE
PRE-THREADED M25

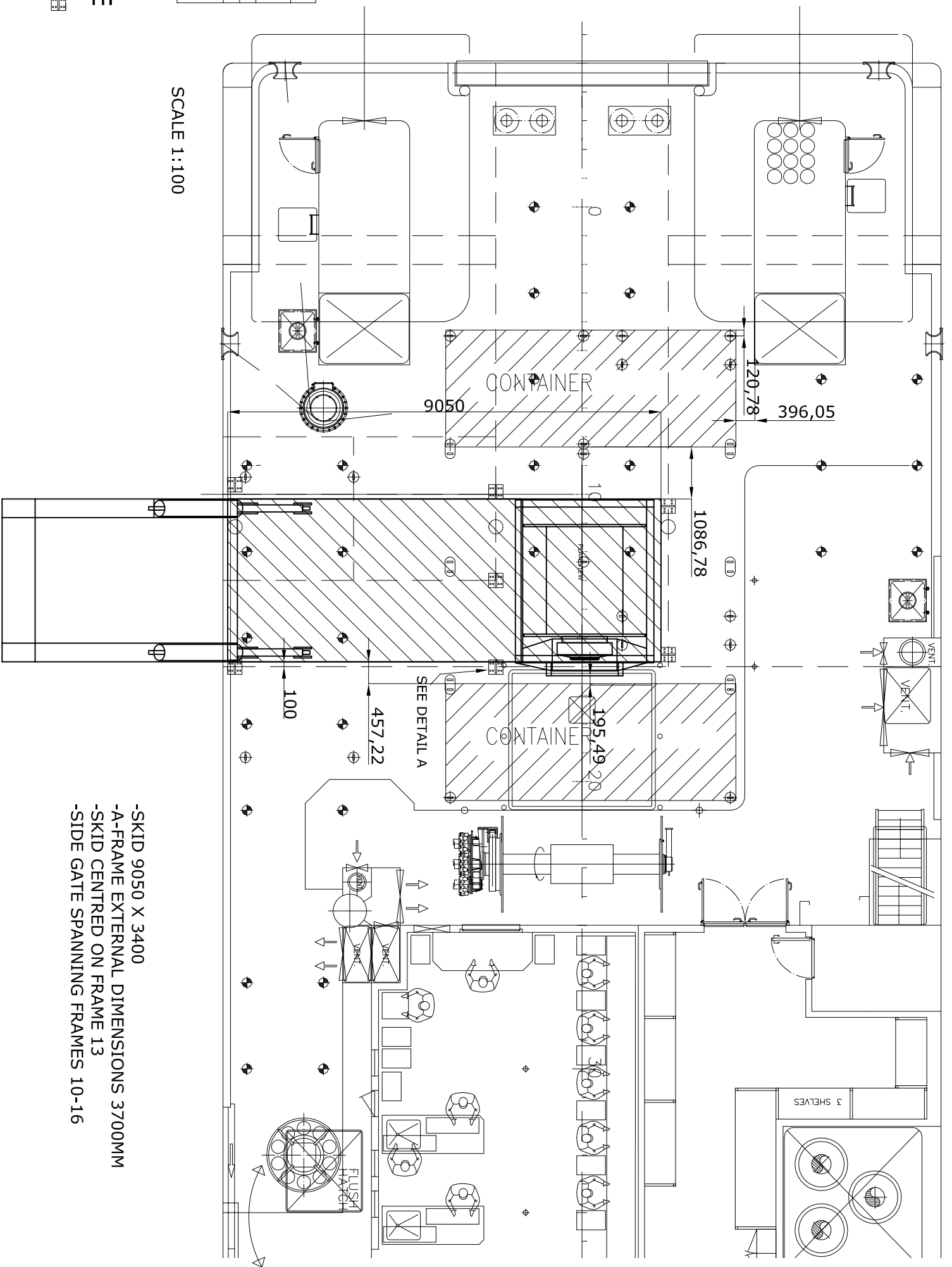
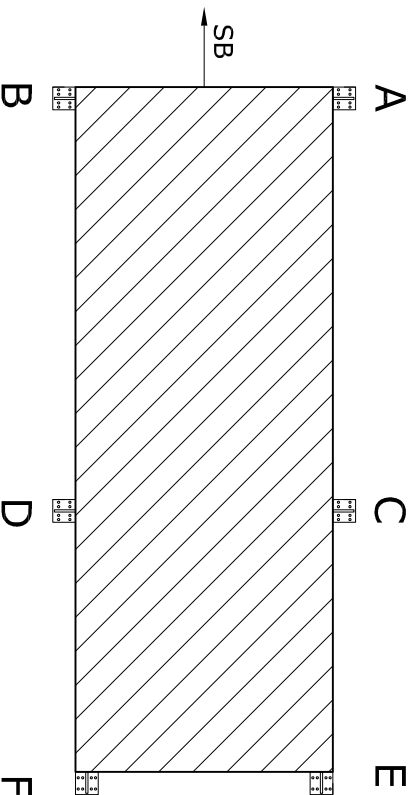


A-FRAME DECK LOADS

FIGURES FOR PAD DECK LOADING TO BE PROVIDED BY ROV SUPPLIER
 THE SWL OF 8 TONNE IS A LIVE LOAD AND IS APPLIED AT THE A-FRAME CENTRELINE


X (KN)	UNLATCHED/LATCHED LOAD FULLY OUTBOARD			UNLATCHED/LATCHED LOAD 25° INBOARD			UNLATCHED/LATCHED LOAD		
	PADS A/B	PADS C/D	PADS E/F	PADS A/B	PADS C/D	PADS E/F	PADS A/B	PADS C/D	PADS E/F
Y (KN)									
VERTICAL LOADS POSITIVE DOWN (KN)									

NOTES
 THE ABOVE ARE BASED ON FACTORED LOADS ACCORDING TO LOADS RULES FOR SEA STATE 6
 -VE TENSILE TO DECK
 +VE COMPRESSIVE TO DECK



SCALE 1:100

- SKID 9050 X 3400
- A-FRAME EXTERNAL DIMENSIONS 3700MM
- SKID CENTRED ON FRAME 13
- SIDE GATE SPANNING FRAMES 10-16

REV. A		DATE	05.02.08	DESCRIPTION		MODIFIED	BY	P.M.	CHK'D		CLIENT:	MARINE INSTITUTE ORANMORE, CO. GALWAY	 <p>Marine Institute Foras na Mara</p>
REV. B		DATE	06.02.09	DESCRIPTION		TITLE BLOCK REVISED	BY	E.M.	CHK'D		AREA:	CELTIC EXPLORER	
REV. A		DATE	05.02.08	DESCRIPTION		MODIFIED	BY	P.M.	CHK'D		DESCRIPTION:	ROV DECK ARRANGEMENT	
REV. B		DATE	06.02.09	DESCRIPTION		TITLE BLOCK REVISED	BY	E.M.	CHK'D		DRAWING NO.	2610-001-1	
REV. A		DATE	05.02.08	DESCRIPTION		MODIFIED	BY	P.M.	CHK'D		REV.	B	
REV. B		DATE	06.02.09	DESCRIPTION		TITLE BLOCK REVISED	BY	E.M.	CHK'D		SCALE	1:50	
REV. A		DATE	05.02.08	DESCRIPTION		MODIFIED	BY	P.M.	CHK'D		DATE	06.02.09	
REV. B		DATE	06.02.09	DESCRIPTION		TITLE BLOCK REVISED	BY	E.M.	CHK'D		BY	E.M.	
REV. A		DATE	05.02.08	DESCRIPTION		MODIFIED	BY	P.M.	CHK'D		CHECKED:		